

ITEM	DESCRIPTION							
1	ISOLATION TRANSFORMER							
	SYSTEM "A"				SYSTEM "B"			
	KVA	VOLTAGE		FREQ	KVA	VOLTAGE		FREQ
		PRIMARY	SECONDARY			PRIMARY	SECONDARY	
7.5	120	120	60	7.5	120	120	60	
10	208	208		10	208	208		
		277				277		
		480				480		
INTERIOR ASSEMBLY								
		SYSTEM "A"			SYSTEM "B"			
2	MAIN BREAKER							
3	BRANCH BREAKERS*		QTY		QTY			
			15 A		15 A			
			20 A		20 A			
			30 A		30 A			
4	COMMUNICATION GATEWAY	<input type="checkbox"/> YES	<input type="checkbox"/> NO	<input type="checkbox"/> YES	<input type="checkbox"/> NO			
5	FAULT LOCATION SYSTEM	<input type="checkbox"/> YES	<input type="checkbox"/> NO	<input type="checkbox"/> YES	<input type="checkbox"/> NO			
6	CURRENT MONITORING SYSTEM	<input type="checkbox"/> YES	<input type="checkbox"/> NO	<input type="checkbox"/> YES	<input type="checkbox"/> NO			
7	TRANSFORMER LOAD MONITOR	<input type="checkbox"/> YES	<input type="checkbox"/> NO	<input type="checkbox"/> YES	<input type="checkbox"/> NO			
8	GROUND BUS							
9	LINE ISOLATION MONITOR (LIM2010)							
10	CP-LIM2010 CONNECTOR PLATE							
11	RECEPTACLE PLATE CONFIGURATION: N/A							
12	FRONT TRIM: T8238R							
13	BACKBOX: B803608F							

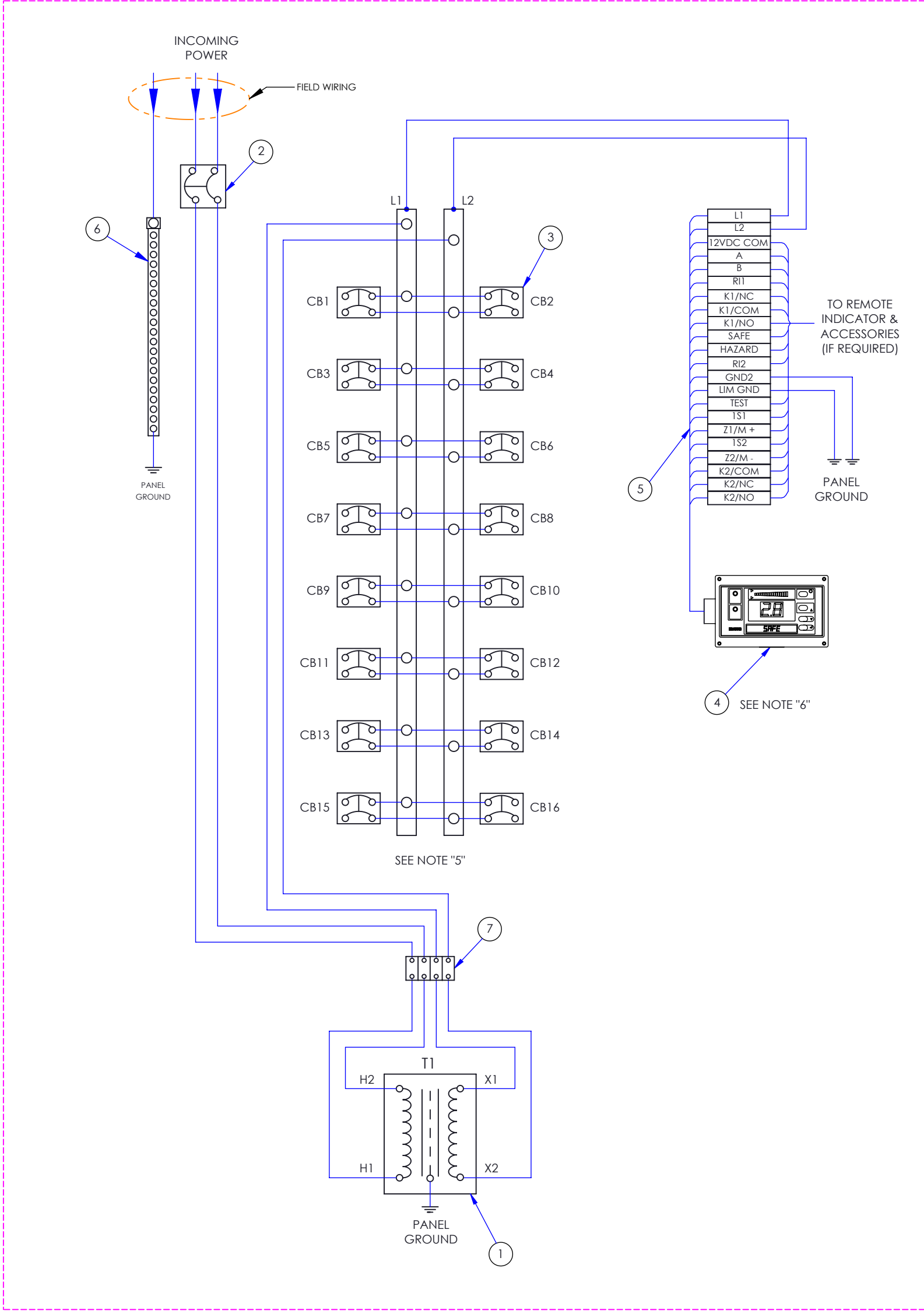
* 16 BREAKERS MAX PER SYSTEM 2 POLE, 10 kAIC

GENERAL NOTES:
 1. GALVANIZED ROHS COMPLIANT STEEL BOX CONSTRUCTED IN ACCORDANCE WITH UL50
 2. FRONT TRIM, TYPE 304 SS WITH #4 POLISH FINISH.
 3. BOLT-ON CHASSIS FASTENS TO STUDS IN BOX.

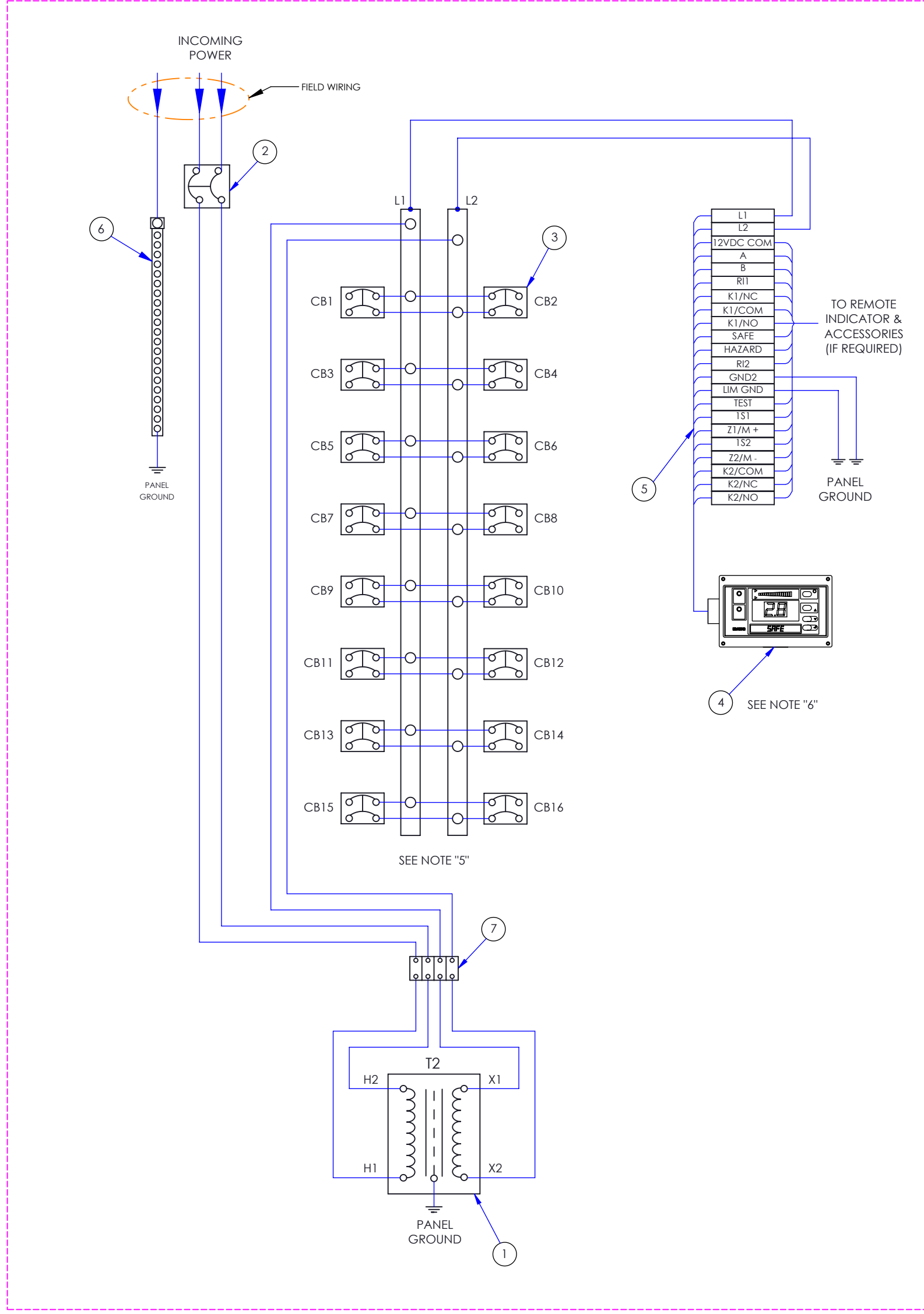
PROJECT:		TITLE:	
SALES ORDER		DWG. NO.	
QTY.			
MODEL			
ARTICLE #		REV	
DRAWN BY		 420 Eagleview Blvd. Exton, PA 19341-1116 1-800-356-4266	
APPROVED BY			
		SHEET 1 OF 1	
		INT REF. 446 0021 R1	

ITEM	DESCRIPTION
1	ISOLATION TRANSFORMER
2	PRIMARY MAIN BREAKER
3	BRANCH CIRCUIT BREAKERS (16 BREAKERS MAX, 2 POLE, 10 kAIC)
4	LINE ISOLATION MONITOR (LIM2010)
5	CP-LIM2010 CONNECTOR PLATE
6	GROUND BUS
7	TRANSFORMER TERMINAL BLOCK (TTB)

System "A"



System "B"



- NOTES:
1. Type XHHW wire with a dielectric constant of less than 3.5 is recommended for all branch circuit field wiring.
 2. Polarity shall be observed in all instances.
 3. Size of all conductors shall be in accordance with all UL, NEC, NFPA and State Fire Marshall requirements.
 4. All remote indication circuitry shall be low voltage and will not contribute leakage to the system.
 5. Quantity of branch breakers (CB1 - CB16) shown for reference only. See elevation drawing for specific values provided.
 6. When other panels/units with RS-485 communication are added onto panel, slide switch "R" on bottom of unit must be positioned in the "off" position. If additional RS-485 related equipment is not connected, slide "R" switch must be in the "on" position.

TITLE: MIX WIRING DIAGRAM STANDARD	DRAWN BY	T. COYLE	11/12/19	 420 Eagleview Blvd. Exton, PA 19341-1116 1-800-356-4266	DWG. NO.	442 0069	REV	2
	APPROVED BY	A. JOHNSON	11/12/19		SHEET 1 OF 1			